

# KFC-1692

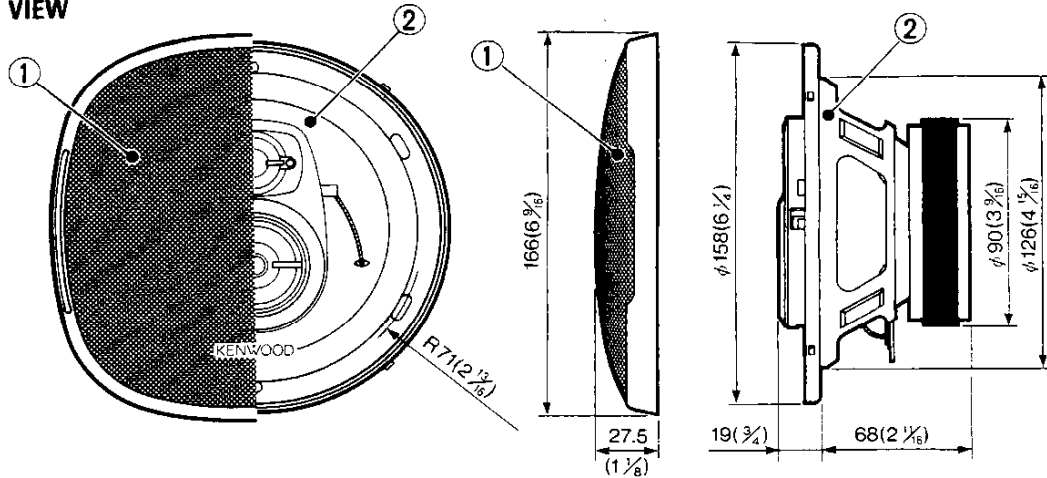
## SERVICE MANUAL

# KENWOOD

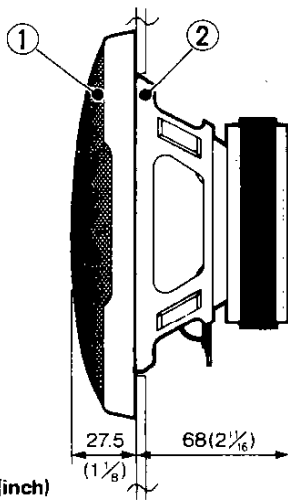
COPY

©1988-10 PRINTED IN JAPAN  
B51-3694-00(B)1878

### EXTERNAL VIEW

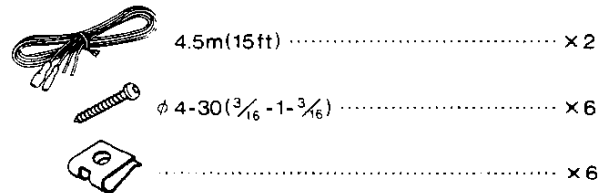


UNIT: mm (inch)



UNIT: mm (inch)

### PARTS INCLUDED



### PARTS LIST

★ New parts

Parts without **Parts No.** are not supplied.

Les articles non mentionnés dans le **Parts No.** ne sont pas fournis.

Teile ohne **Parts No.** werden nicht geliefert.

Ref No.	New Parts	Parts No.	Description
①	★	B06-0316-08	FRONT GRILLE
		E30-1181-08	CORD SET
	★	N99-1086-08	SCREW SET
②	★	T15-0122-08	SPEAKER

### SPECIFICATIONS

#### Speakers

Woofer	16cm (6 in) Water proof P-P cone type	328g (11.6 oz) Magnet
Mid-Range	3.5cm ( $1\frac{3}{8}$ in) Balanced dome type	
Tweeter	2.2cm ( $\frac{7}{8}$ in) Balanced dome type	
Peak power	150 Watts	
Frequency Response	35 Hz ~ 22,000 Hz	
Sensitivity	90 dB/W at 1m	
Impedance	4 ohms	
Weight per speaker with grille	1.4kg (3 lb 2 oz)/pc	

We follow a policy of advancements in development.  
For this reason specifications may be changed without notice.